

INSTALLATION MANUAL

-----For Single Carport

I. Frame diagram

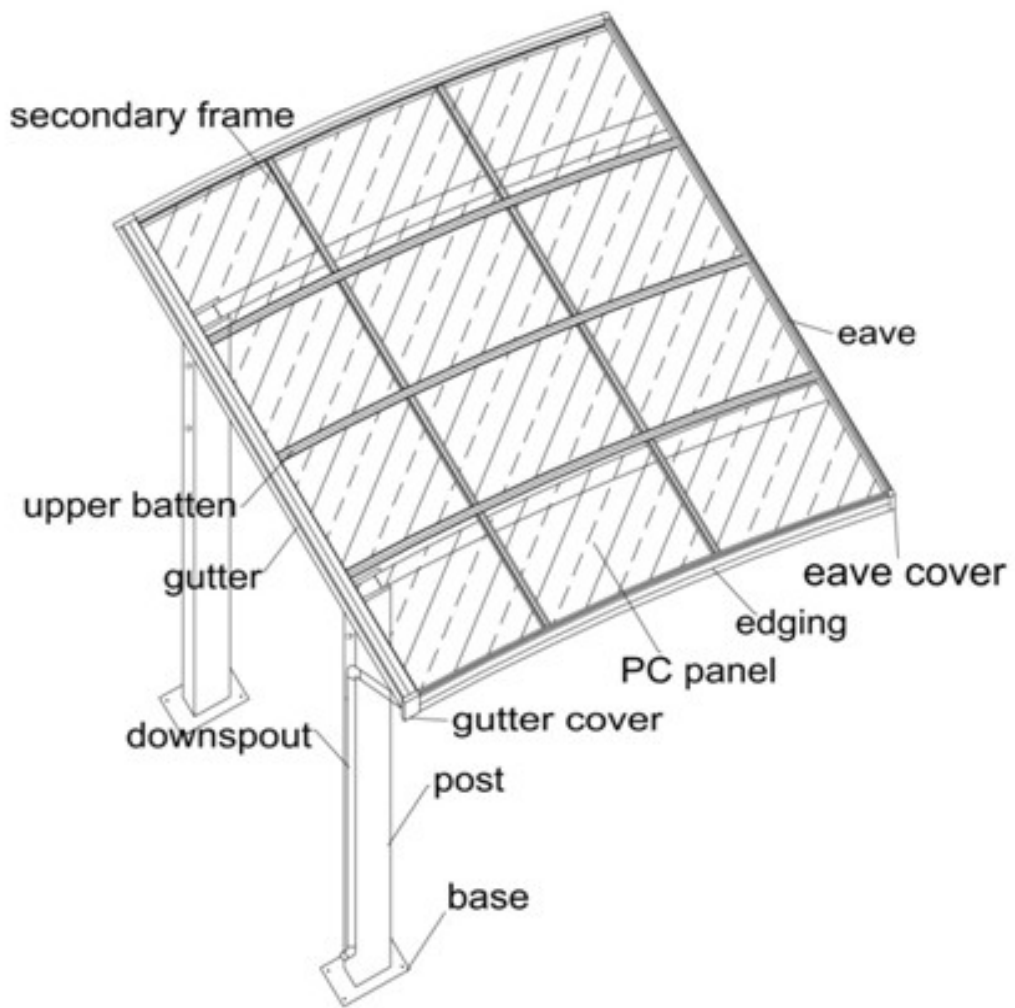


Diagram-1

II. Installation Notes

[Job Site Condition]

This carport is durable and rigid against the various loads. However, please try to avoid exposing the front side to the constant and strong wind and avoid the heavy chunk of snow falling from the roof of the adjacent building.

[Pouring Concrete Foundation Construction]

- 1) For the underground post installation, the minimal depth of the concrete must be not less than 1 foot 8 inches. The length and width must be not less than 2 feet.
- 2) Bolting is not required with the embedded post.
- 3) Do not add sand or fast-cure agent into the concrete.
- 4) After pouring the concrete to the post, wait until the concrete is completely cured and hard before upper frame installation.

[Installation]

- 1) Please use the designated screws to ensure tightening during installation.
- 2) Do not modify the material. If necessary, please consult our sales team in advance.
- 3) After finishing the installation, a general inspection is needed, such as the burrs and other safety issues.

[Others]

- 1) While installing the eave to the wall, please apply the sealant into the gap between the frame and surface of the wall to prevent leakage.
- 2) In case that the modified cut section of the aluminum frame is in direct contact with other types of metal other than zinc and stainless steel, it may cause a rust.

III. Single Carport Installation Instruction

1. Base Installation

- 1) Typical distance between posts: 10 feet, Typical distance from the post to the edge: 4 feet. Moderate distance adjustment is allowed when it is required.
- 2) Fix the base with expansion bolts or embed the posts into the concrete.
- 3) The base location needs to be set according to the desired distance between posts.



Diagram-2

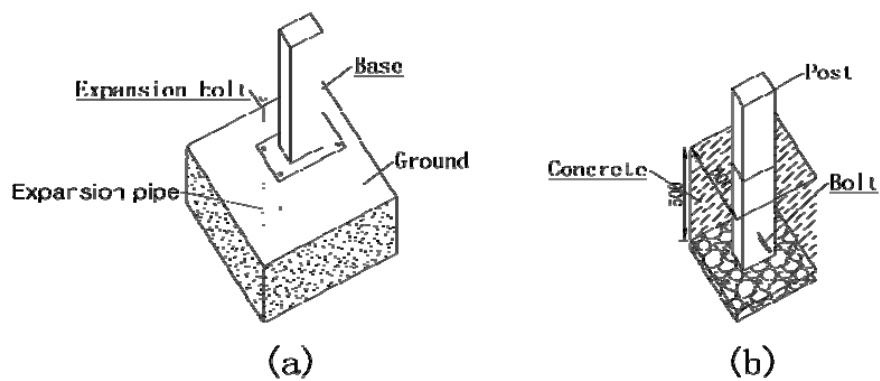


Diagram-3

Two types of post installation(a for top of concrete, b for embed)

2. Post and main frame connection

- 1) While installing the post, please make sure the post is set plumb.
- 2) After the post has been installed, put one side of the steel elbow into the post, then fix them by hex screw M8X15
- 3) Put the other side of steel elbow into the main frame, then fix them by hex screw M8X15

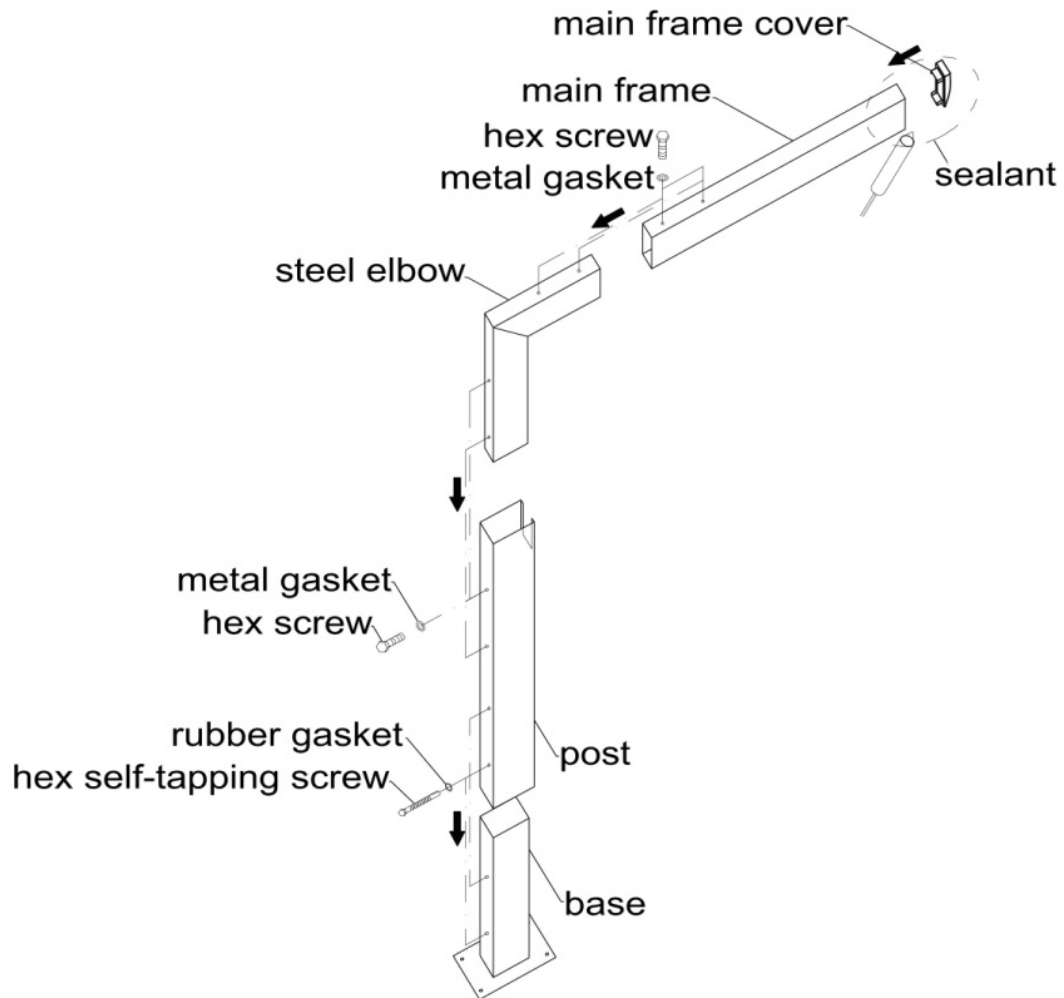


Diagram-4

3. Installation of edging and secondary frame

- 1) Insert the platen board into the gutter shown as follow, please pay please pay attention that the shorter ones should be at the ends of the gutter

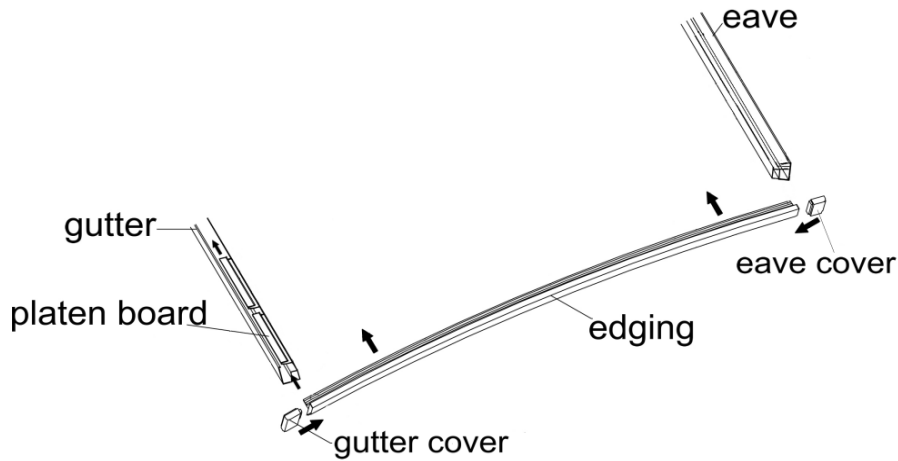


Diagram-5

- 2) Assemble the edgings, gutter, and eave with the covers.
- 3) To assemble the covers securely, you may need to use the rubber hammer. Please make sure tapping the center of the cover, not the side of cover.
- 4) After they are assembled, please make sure each corner is measured to 90 degrees. Fix all connecting parts with self-tapping screws of M4X25.
- 5) Install the secondary frame perpendicular to the edging. Put two ends of the secondary frame into the rabbet of the edging, and fix them with M4X25 screws.
- 6) Install the under batten perpendicular to the gutter. Put two ends of the under batten into the rabbet of the gutter and eave, and the body to the rabbet of the secondary frame, then fix them by screws.

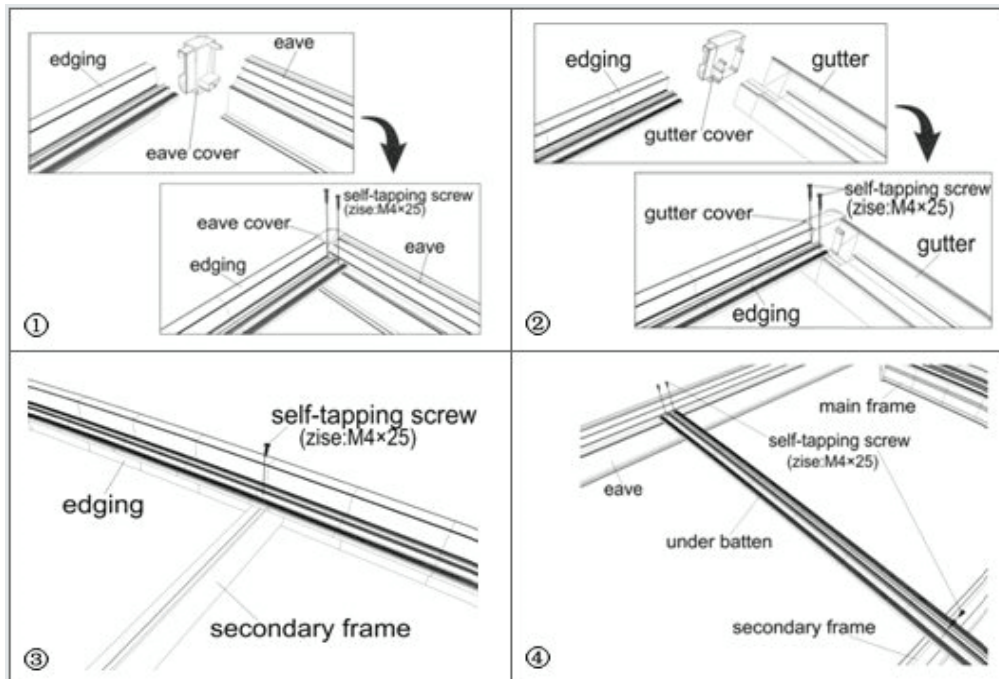


Diagram-6

4. Setting the roof frame

- 1) After the roof structure are fully assembled, two to three people may raise the roof frame assembly and put it on top of the main frame as shown at the image below (the total weight of the roof frame is about 95 lb).
- 2) Fix the secondary frame and eave to the main frame with the designated screws.

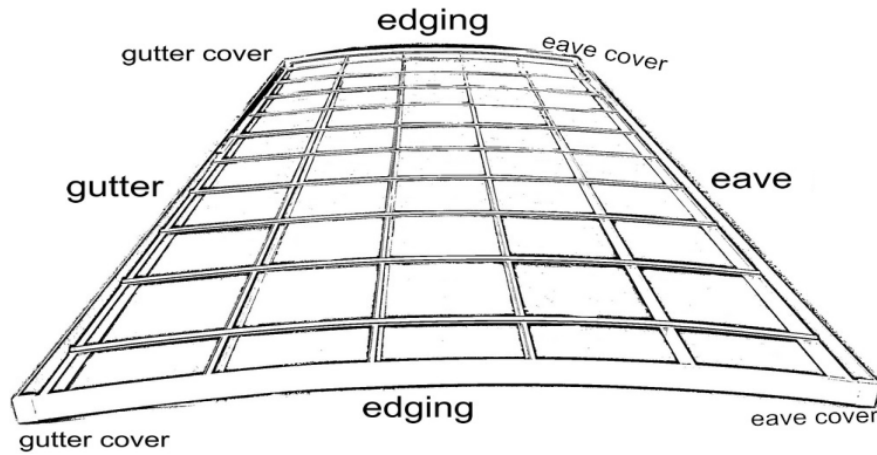


Diagram-7

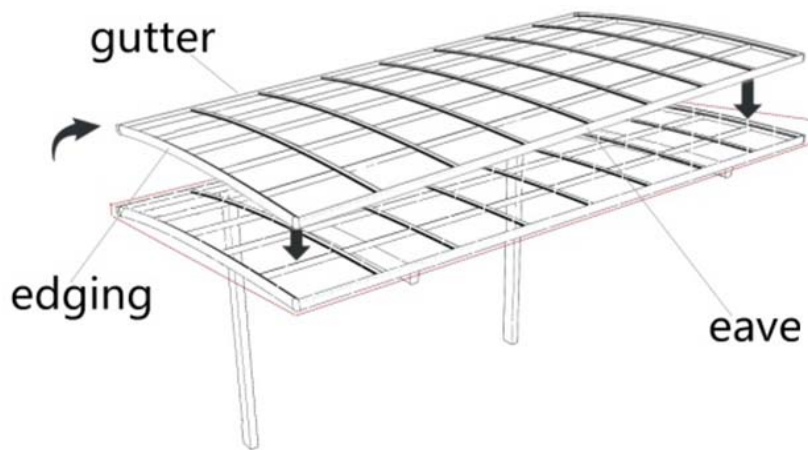


Diagram-8

5. Panel Installation

Note: Please remove the protection film from the panel first(both sides)

- 1) Put one side of the panel into the platen board and the other side to groove of the eave
- 2) Put the upper batten onto the panel and under batten (the panel lays between the under batten and upper batten), and fix them by screws.
- 3) Install the first panel from the edging, and others followed in order.

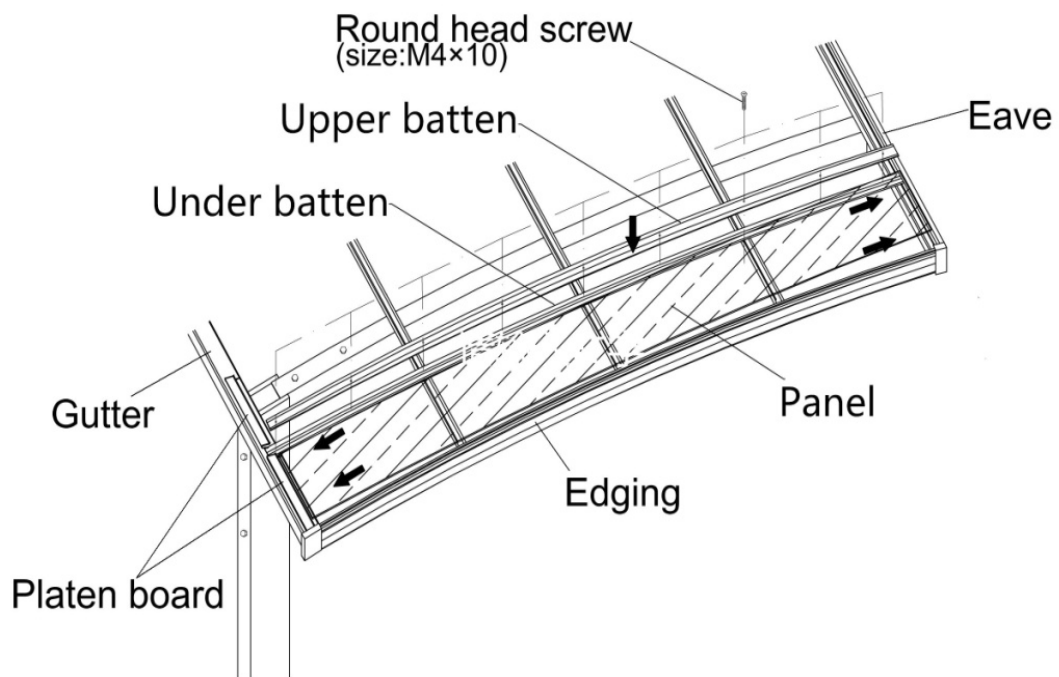


diagram-9

6. Downspout Installation

- 1) Drill the drainage hole at the bottom of the gutter, in case that it is not pre-drilled.
- 2) Connect the downspout and use the sealant to prevent leakage.
- 3) Fix the downspout with the self-tapping screws.

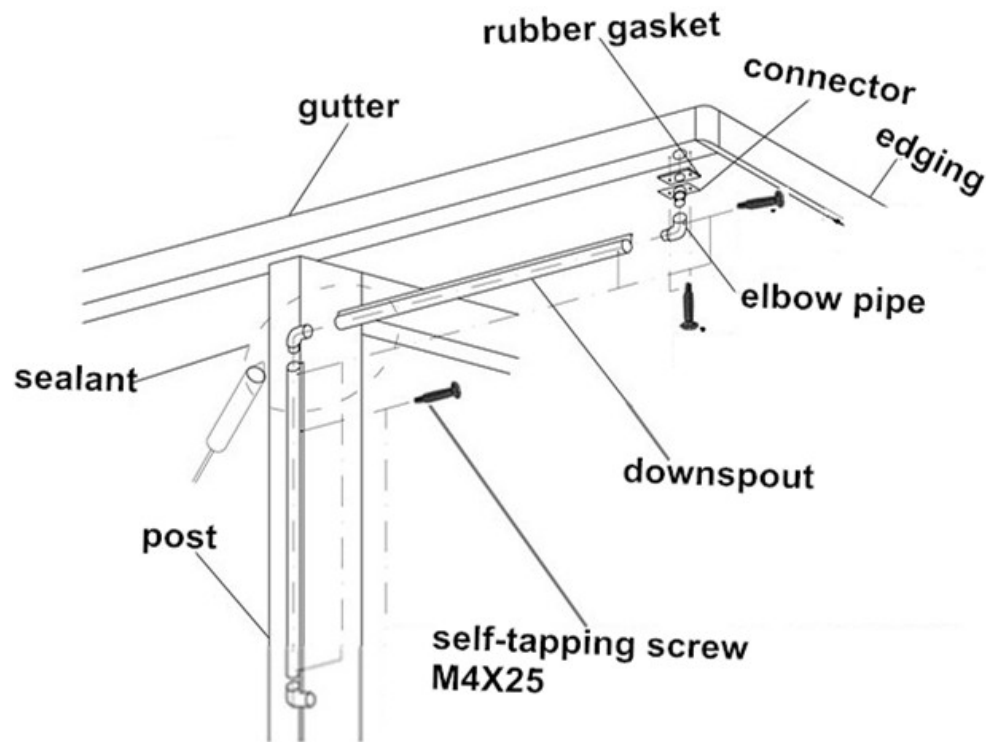


Diagram-10

IV. Technical Support

- 1) Please contact us if there is any question or concern regarding the installation.
- 2) Please don't try to modify our standard design. If you modify the frame, you should take full responsibility for any problem happened during the installation.
- 3) We try to keep improving our products as well as the installation method, so please refer to our newest version of instruction manual.